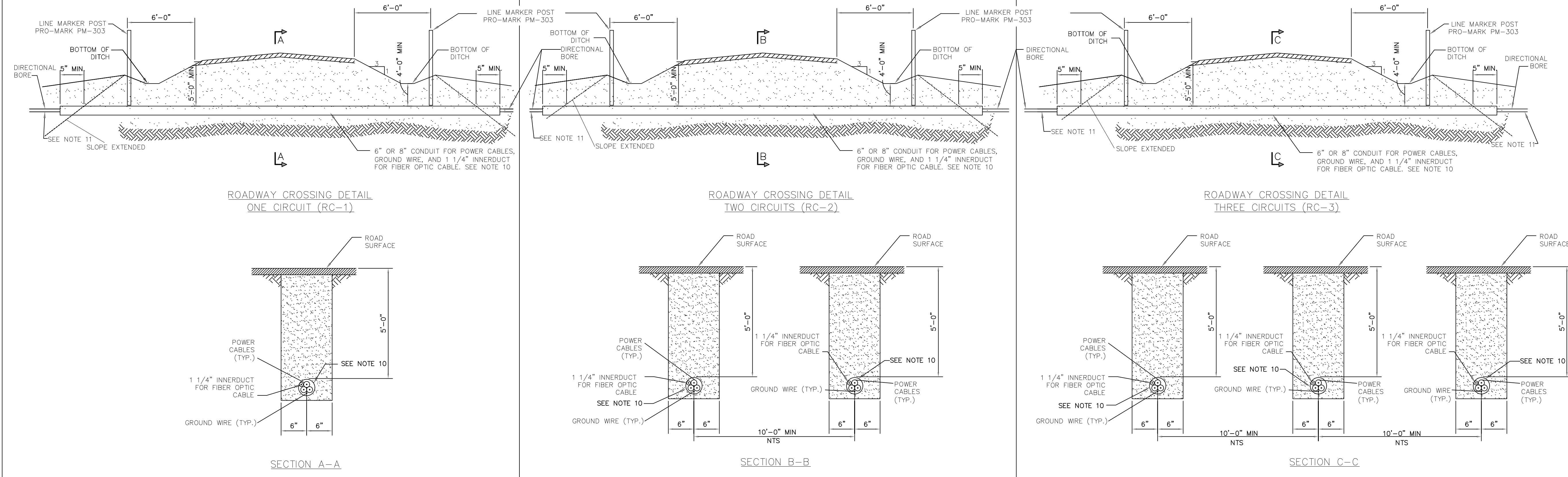


- TRENCH BACKFILL NOTES**
- BACKFILLING OPERATIONS SHALL NOT BE CONDUCTED UNDER FREEZING TEMPERATURE OR FROZEN SOIL CONDITIONS.
 - THE BEDDING AND PADDING BACKFILL MATERIAL FOR THE TRENCH SHALL BE EXCAVATED SOIL FREE OF ROCKS (NO ROCKS LARGER 3/8" DIAMETER) AND FREE OF WOOD, ROOTS, VEGETABLE MATTER, TOPSOIL OR OTHER DELETERIOUS MATERIAL.
 - TOPSOIL CONSISTS OF ORGANIC SILT AND SILTY SAND IN ACCORDANCE WITH THE UNITED SOIL CLASSIFICATION SYSTEMS (USCS).
 - SUITABLE PROTECTIVE BEDDING AND PADDING SOIL WITH A MINIMUM COVER ON ALL SIDES OF ALL CABLE AND / OR CONDUIT SYSTEMS SHALL BE PROVIDED. CONTRACTOR TO INSTALL GPS BALL MARKER AT EACH BORING PIT, NO DEEPER THAN 5'-0"
 - ALL THE LAYERS SHALL BE SUFFICIENTLY COMPACTED TO ACHIEVE THE NECESSARY THERMAL RESISTIVITY. COMPACTING BY FLOODING SHALL NOT BE PERMITTED.
 - BACKFILL SHALL BE PLACED IN THREE LIFTS (1 FOOT BOTTOM LIFT, 1 FOOT CENTER LIFT AND 2 FOOT TOP LIFT WITH TOPSOIL HEAPED FOR FINAL COMPLETION.
 - COMPACTED BACKFILL ABOVE CABLE SHALL NOT HAVE ROCKS LARGER THAN 1.5" DIAMETER.
 - ALL BACKFILL SHALL BE 140CM/W (TO BE VERIFIED BY AMPA MODELING) OR LESS, AT 2% MOISTURE CONTENT SHALL BE USED. ALL BACKFILL SHALL BE COMPACTED TO THE LESSOR OF 93% OF THE ASTM D698 DRY-DENSITY VALUE OR THE NATIVE IN-SITU DENSITY.
 - USE 6" BORE-GARD SCHEDULE 40 FOR POWER CABLES 4/0 AWG TO 500 MCM, USE 8" HDPE SDR 13.5 FOR POWER CABLES 750 MCM TO 1250 MCM.

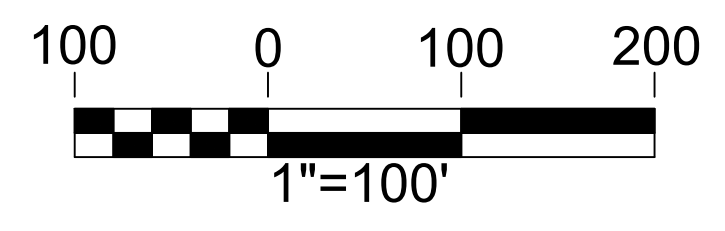
UNDERGROUND OR EMBEDDED UTILITIES MAY BE LOCATED WITHIN OR ADJACENT TO THE AREA IN WHICH EXCAVATION, DEMOLITION, FOUNDATION, OR MODIFICATION WORK IS TO BE PERFORMED.

REFERENCES RELATING TO THE UNDERGROUND OR EMBEDDED UTILITIES ARE PROVIDED TO ASSIST THE CONTRACTOR/INSTALLER IN THE FIELD LOCATING THOSE UTILITIES AND OTHER POSSIBLE UNDERGROUND OR EMBEDDED INTERFERENCES WITH THE WORK.

THE CONTRACTOR/INSTALLER SHALL EXERCISE DUE CAUTION DURING ALL EXCAVATION/FOUNDATION/DEMOLITION WORK.



UNDER NEW YORK STATE EDUCATION LAW ARTICLE 145 (ENGINEERING), SECTION 7209 (2), IT IS A VIOLATION OF THE LAW FOR ANY PERSON, UNLESS ACTING UNDER THE DIRECTION OF A LICENSED PROFESSIONAL ENGINEER, TO ALTER THIS DOCUMENT.



PRELIMINARY
NOT FOR CONSTRUCTION



REV	DESCRIPTION	DATE	DES	CHK	APP
A	ISSUE FOR REVIEW	06/2019	KGM	PRG	CS

TRC 124 Grove Street
Franklin MA, 02038

PROJECT NO: 327851

PRG DESIGNED
AMW DRAWN
KGM CHECKED
CS APPROVED

PRELIMINARY
34.5 KV COLLECTION TRENCH, BORING AND CROSSING DETAILS
EAST POINT ENERGY CENTER
EAST POINT ENERGY CENTER, LLC
SCHOHARIE CO., NY

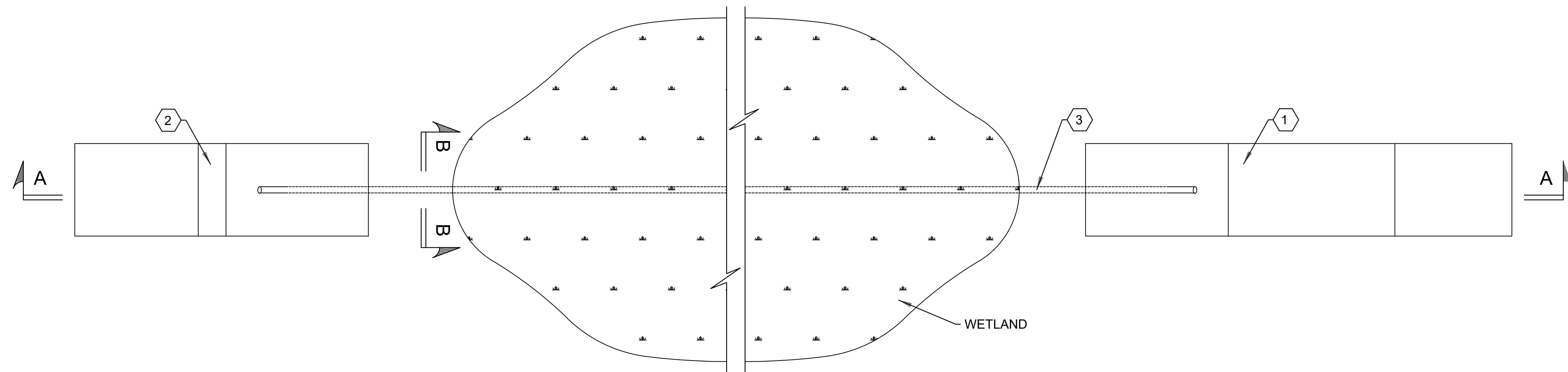
SHARON

REVIEW 1 DATE 04/17/19
REVIEW 2 AS NOTED SCALE

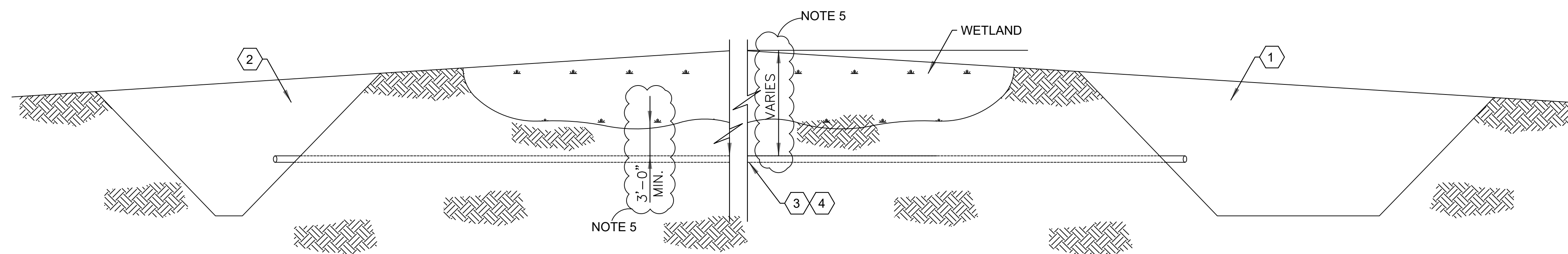
TRC

CS-001

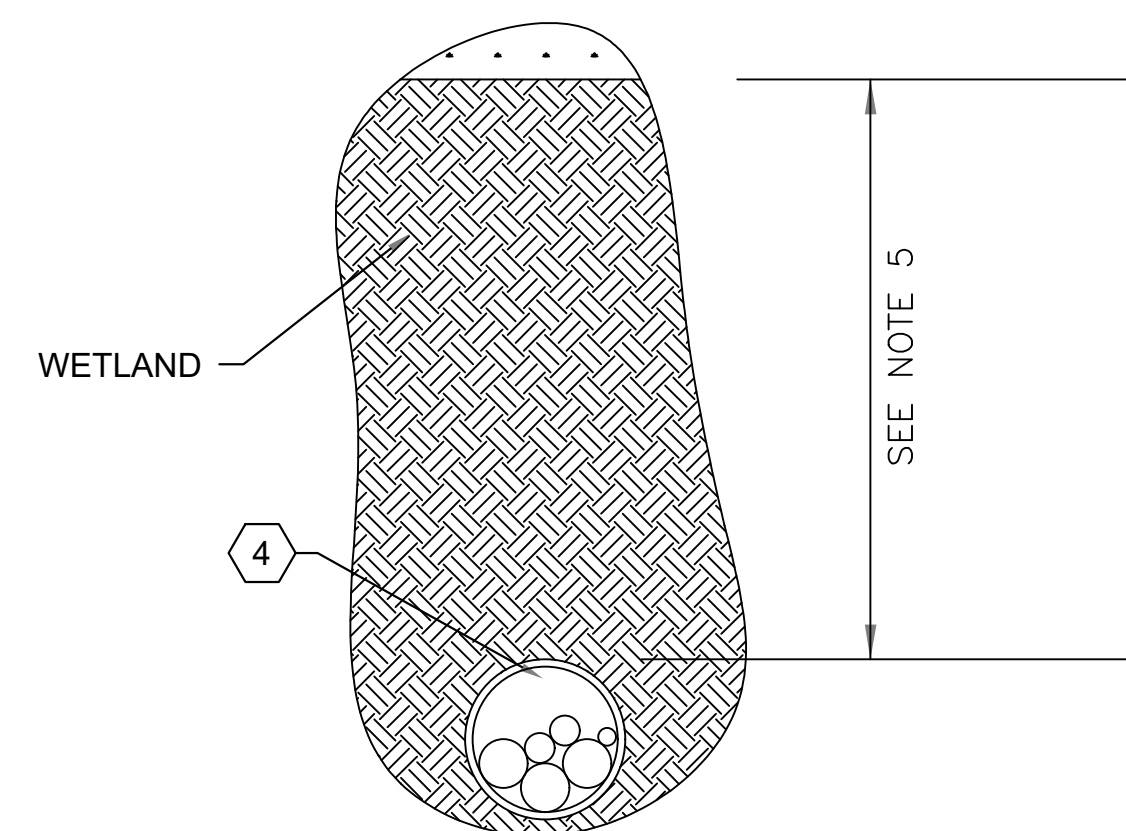
REV. B



DETAIL A - WETLAND BORING PLAN VIEW



**DETAIL B - SECTION A-A
WETLAND BORING SECTION
(UGWC-1)**



**DETAIL C - SECTION B-B
TYPICAL BORE CONDUIT DETAIL**

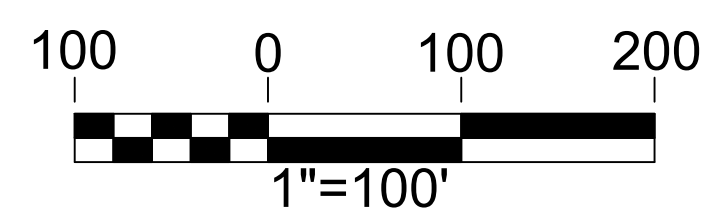
GENERAL NOTES:

1. CONTACT STATE CALL CENTER (811) FOR MARK-OUT OF ALL EXISTING UNDERGROUND FACILITIES PRIOR TO CONSTRUCTION. MAINTAIN FIELD MARKINGS AS NECESSARY TO AVOID INTERFERENCE WITH EXISTING UNDERGROUND FACILITIES FOR DURATION OF CONSTRUCTION.
2. MAINTAIN 12" MINIMUM CLEAR DISTANCE FROM ALL FOREIGN SYSTEMS, INCLUDING CULVERTS.
3. PROVIDE GPS BALL MARKER. INSTALL NO DEEPER THAN 5'-0" AT EACH BORING PIT.
4. HANDLE AND DISPOSE OF DRILL SLURRY PER PROJECT ENVIRONMENTAL STANDARDS.
5. CONTRACTOR TO DETERMINE WETLAND DEPTH AND LOWEST POINT FOR BORING. BORE DEPTH SHALL BE A MINIMUM OF 10FT BELOW WETLANDS. DESIGN BORE IN ACCORDANCE WITH ASCE MANUAL NO. 108. BORING CONTRACTOR SHALL RETAIN FULL RESPONSIBILITY FOR BORE DESIGN AND EXECUTION

KEYED NOTES:

- ① PIT FOR DIRECTIONAL DRILLING, JACKING, RAMMING, OR BORING. RECOMPACT DISTURBED SOILS TO PRE-EXCAVATION DENSITY.
- ② RECEIVING PIT. RECOMPACT DISTURBED SOILS TO PRE-EXCAVATION DENSITY.
- ③ USE 6" BORE-GARD SCHEDULE 40 FOR POWER CABLES 4/0 AWG TO 500 MCM. USE 8" HDPE SDR 13.5 FOR POWER CABLES 750 MCM TO 1250 MCM.

UNDER NEW YORK STATE EDUCATION LAW ARTICLE 145 (ENGINEERING), SECTION 7209 (2), IT IS A VIOLATION OF THE LAW FOR ANY PERSON, UNLESS ACTING UNDER THE DIRECTION OF A LICENSED PROFESSIONAL ENGINEER, TO ALTER THIS DOCUMENT.



PRELIMINARY
NOT FOR CONSTRUCTION

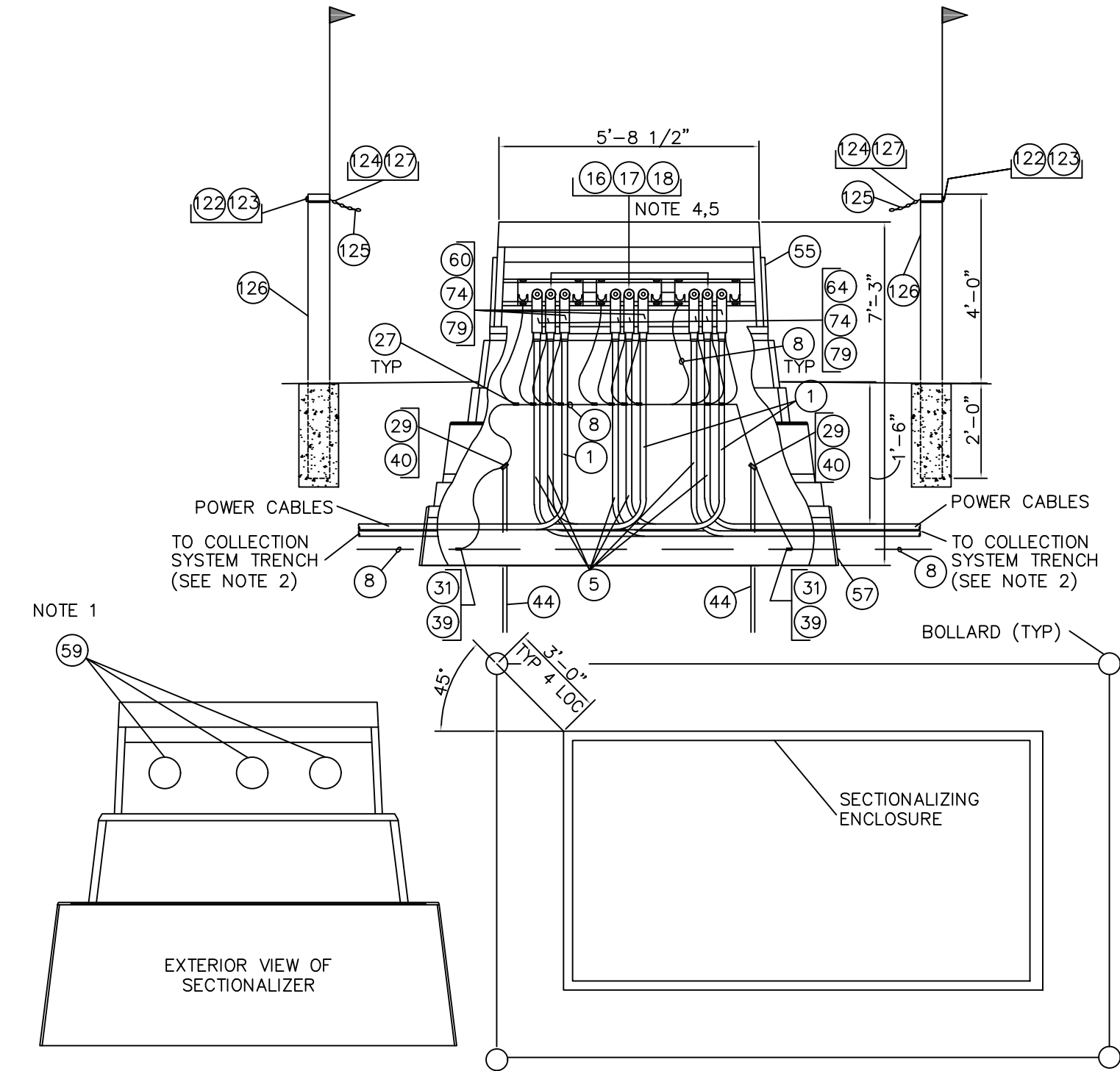
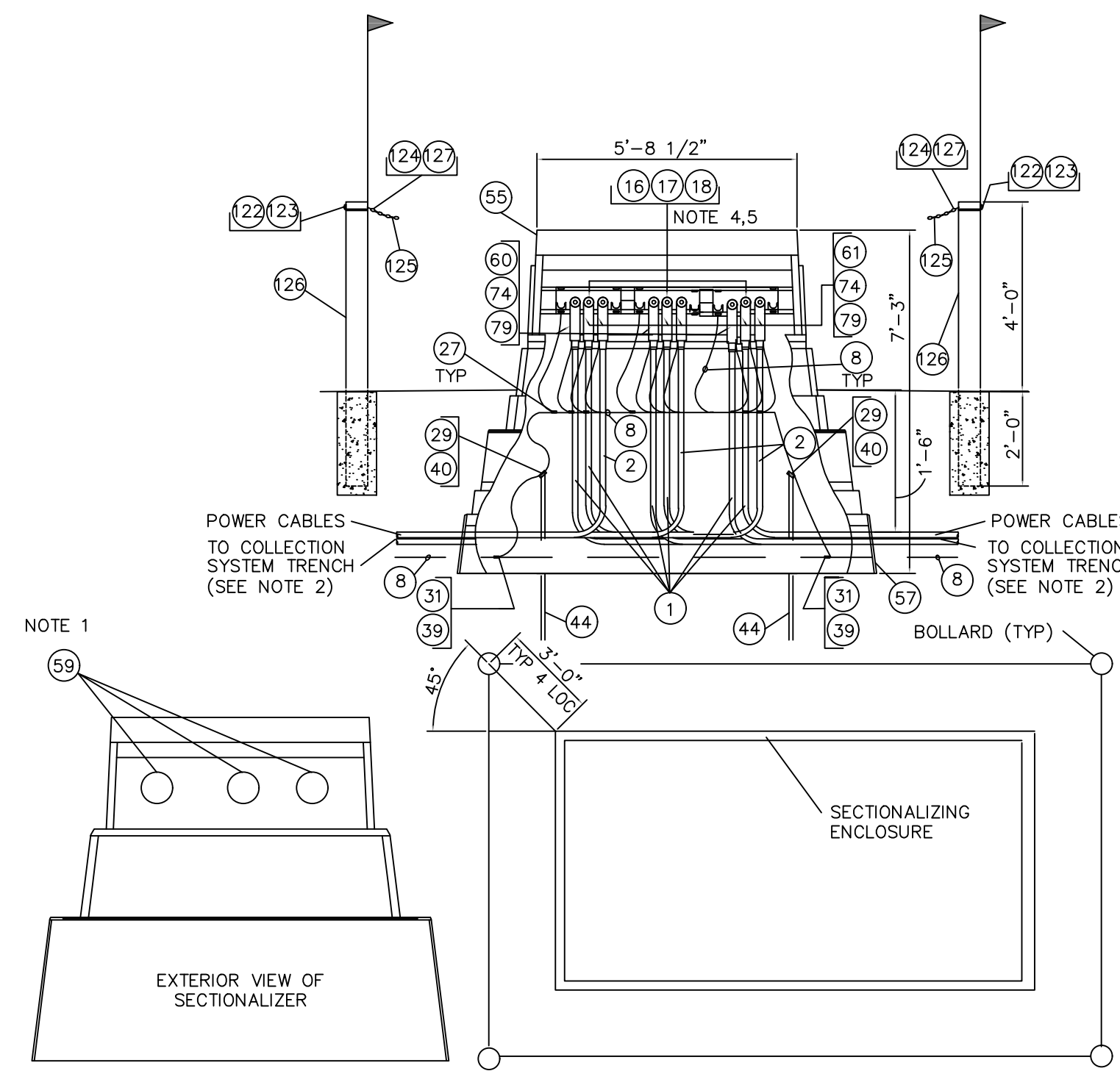
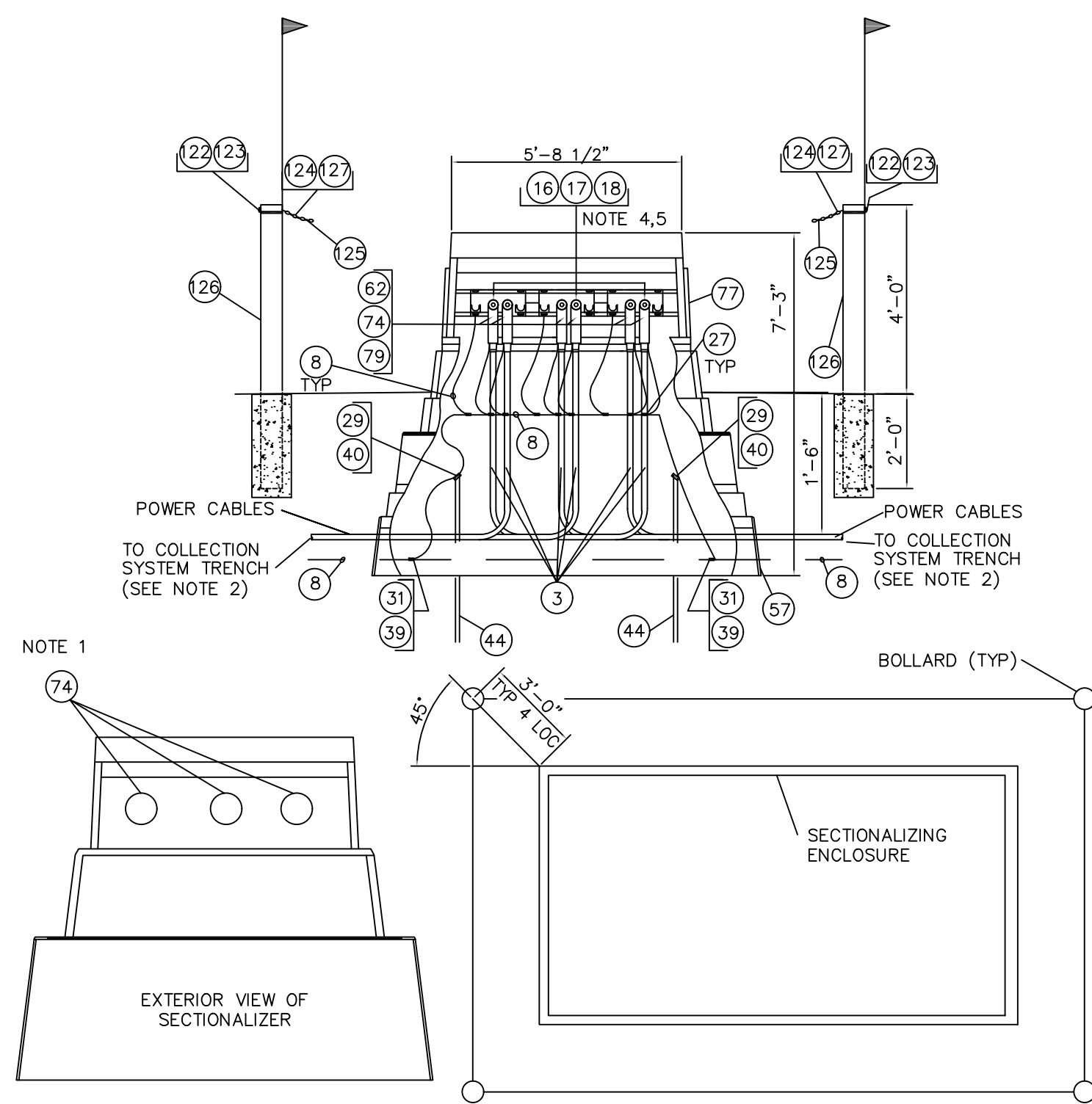


TRC 124 Grove Street
Franklin MA, 02038

PROJECT NO: 327851

REV	DESCRIPTION	DATE	DES	CHK	APP
A	ISSUE FOR REVIEW	06/20/19	KGM	PRG	CS

PRG DESIGNED	AMW DRAWN	KGM CHECKED	CS APPROVED	SHARON	PRELIMINARY 34.5 KV COLLECTION WETLAND CROSSING DETAIL EAST POINT ENERGY CENTER EAST POINT ENERGY CENTER, LLC SCHOHARIE CO., NY
REVIEW 1	04/17/19 DATE	TRC	CS-002	REV. B	
REVIEW 2	AS NOTED SCALE				



DETAIL SE-01 TWO WAY SECTIONALIZING ENCLOSURE DETAIL 750 MCM-750 MCM

ITEM	QTY	DESCRIPTION
3	AS REQ	35KV 750MCM CU SINGLE CONDUCTOR, TR-XLPE
8	AS REQ	1/2 AWG SINGLE CONDUCTOR - SOFT DRAWN BARE COPPER CONDUCTOR
12	2	ELECTRONIC MARKER SYSTEM ID BALL MARKERS
16	AS REQ	RED TAPE FOR A PHASE INDICATION
17	AS REQ	WHITE TAPE FOR PHASE B INDICATION
18	AS REQ	BLUE TAPE FOR PHASE C INDICATION
27	9	COMPRESSION CONNECTOR 1/2 AWG TO 1/2 AWG
29	2	CADWELD MOLD 1/2 AWG TO 3/8\" GROUND ROD
31	2	CADWELD MOLD 1/2 AWG TO 1/2 AWG HORIZONTAL TEE
39	2	CADWELD METAL SHOTS - 90
40	2	CADWELD METAL SHOTS - 115
44	2	3/8\" X 10\" COPPER CLAD GROUND RING
57	1	GROUND SLEEVE 36\" FOR 96\" X 55\" SECTIONALIZING ENCLOSURE
59	3	3\" IR VIEWING PORTS PER JUNCTION BOX, PLACED TO ALLOW VIEWING OF EACH JUNCTION
62	6	DEADBREAK ELBOWS W/TEST POINT 600A - 35KV INSULATING PLUG W/CAP SHEAR BOLT TYPE CONNECTOR 750MCM CABLE ADAPTOR
74	1	THREE PHASE FAULT INDICATOR TEST POINT WITH REMOTE DISPLAY
77	1	SECTIONALIZING ENCLOSURE - 96\" X 55\" -2-WAY
79	6	COLD SHRINKABLE JACKET SEAL
122	4	1/2\" FLAT WASHER HEAVY - AISI - STAINLESS
123	4	1/2\" LOCK WASHER HEAVY - AISI -STAINLESS
124	4	1/2\" X 6-1/4\" EYE BOLT TO FIT THROUGH BOLLARDS W/NUTS - STAINLESS
125	AS REQ	3/16\" CHAIN FOR BARRIER AROUND BOLLARDS - STAINLESS
126	4	5-1/2\" X 6\" BOLLARD, THIN WALL STEEL CONDUIT, CONCRETE FILLED
127	4	3/16\" THREADED CONNECTOR PEAR SHAPED QUICK LINK - AISI - STAINLESS

DETAIL SE-02 THREE WAY SECTIONALIZING ENCLOSURE DETAIL 1/2 AWG-1/2 AWG-500 MCM

ITEM	QTY	DESCRIPTION
1	AS REQ	35KV 1/2 AWG CU SINGLE CONDUCTOR, TR-XLPE
2	AS REQ	35KV 500MCM CU SINGLE CONDUCTOR, TR-XLPE
8	AS REQ	1/2 AWG SINGLE CONDUCTOR - SOFT DRAWN BARE COPPER CONDUCTOR
12	2	ELECTRONIC MARKER SYSTEM ID BALL MARKERS
16	AS REQ	RED TAPE FOR A PHASE INDICATION
17	AS REQ	WHITE TAPE FOR PHASE B INDICATION
18	AS REQ	BLUE TAPE FOR PHASE C INDICATION
27	12	COMPRESSION CONNECTOR 1/2 AWG TO 1/2 AWG
29	2	CADWELD MOLD 1/2 AWG TO 3/8\" GROUND ROD
31	2	CADWELD MOLD 1/2 AWG TO 1/2 AWG HORIZONTAL TEE
39	2	CADWELD METAL SHOTS - 90
40	2	CADWELD METAL SHOTS - 115
44	2	3/8\" X 10\" COPPER CLAD GROUND RING
55	1	SECTIONALIZING ENCLOSURE - 96\" X 55\" - 3-WAY
57	1	GROUND SLEEVE 36\" FOR 96\" X 55\" SECTIONALIZING ENCLOSURE
59	3	3\" IR VIEWING PORTS PER JUNCTION BOX, PLACED TO ALLOW VIEWING OF EACH JUNCTION
60	6	DEADBREAK ELBOWS W/TEST POINT 600A - 35KV INSULATING PLUG W/CAP SHEAR BOLT TYPE CONNECTOR 1/2 AWG CABLE ADAPTOR
61	3	DEADBREAK ELBOWS W/TEST POINT 600A - 35KV INSULATING PLUG W/CAP SHEAR BOLT TYPE CONNECTOR 500MCM CABLE ADAPTOR
74	1	THREE PHASE FAULT INDICATOR TEST POINT WITH REMOTE DISPLAY
79	9	COLD SHRINKABLE JACKET SEAL
122	4	1/2\" FLAT WASHER HEAVY - AISI - STAINLESS
123	4	1/2\" LOCK WASHER HEAVY - AISI -STAINLESS
124	4	1/2\" X 6-1/4\" EYE BOLT TO FIT THROUGH BOLLARDS W/NUTS - STAINLESS
125	AS REQ	3/16\" CHAIN FOR BARRIER AROUND BOLLARDS - STAINLESS
126	4	5-1/2\" X 6\" BOLLARD, THIN WALL STEEL CONDUIT, CONCRETE FILLED
127	4	3/16\" THREADED CONNECTOR PEAR SHAPED QUICK LINK - AISI - STAINLESS

DETAIL SE-03 THREE WAY SECTIONALIZING ENCLOSURE DETAIL 1/2 AWG-1250 MCM-1250 MCM

ITEM	QTY	DESCRIPTION
1	AS REQ	35KV 1/2 AWG CU SINGLE CONDUCTOR, TR-XLPE
5	AS REQ	35KV 1250MCM CU SINGLE CONDUCTOR, TR-XLPE
8	AS REQ	1/2 AWG SINGLE CONDUCTOR - SOFT DRAWN BARE COPPER CONDUCTOR
12	2	ELECTRONIC MARKER SYSTEM ID BALL MARKERS
16	AS REQ	RED TAPE FOR A PHASE INDICATION
17	AS REQ	WHITE TAPE FOR PHASE B INDICATION
18	AS REQ	BLUE TAPE FOR PHASE C INDICATION
27	12	COMPRESSION CONNECTOR 1/2 AWG TO 1/2 AWG
29	2	CADWELD MOLD 1/2 AWG TO 3/8\" GROUND ROD
31	2	CADWELD MOLD 1/2 AWG TO 1/2 AWG HORIZONTAL TEE
39	2	CADWELD METAL SHOTS - 90
40	2	CADWELD METAL SHOTS - 115
44	2	3/8\" X 10\" COPPER CLAD GROUND RING
55	1	SECTIONALIZING ENCLOSURE - 96\" X 55\" - 3-WAY
57	1	GROUND SLEEVE 36\" FOR 96\" X 55\" SECTIONALIZING ENCLOSURE
59	3	3\" IR VIEWING PORTS PER JUNCTION BOX, PLACED TO ALLOW VIEWING OF EACH JUNCTION
60	6	DEADBREAK ELBOWS W/TEST POINT 600A - 35KV INSULATING PLUG W/CAP SHEAR BOLT TYPE CONNECTOR 1/2 AWG CABLE ADAPTOR
64	3	DEADBREAK ELBOWS W/TEST POINT 600A - 35KV INSULATING PLUG W/CAP SHEAR BOLT TYPE CONNECTOR 1250MCM CABLE ADAPTOR
74	1	THREE PHASE FAULT INDICATOR TEST POINT WITH REMOTE DISPLAY
79	9	COLD SHRINKABLE JACKET SEAL
122	4	1/2\" FLAT WASHER HEAVY - AISI - STAINLESS
123	4	1/2\" LOCK WASHER HEAVY - AISI -STAINLESS
124	4	1/2\" X 6-1/4\" EYE BOLT TO FIT THROUGH BOLLARDS W/NUTS - STAINLESS
125	AS REQ	3/16\" CHAIN FOR BARRIER AROUND BOLLARDS - STAINLESS
126	4	5-1/2\" X 6\" BOLLARD, THIN WALL STEEL CONDUIT, CONCRETE FILLED
127	4	3/16\" THREADED CONNECTOR PEAR SHAPED QUICK LINK - AISI - STAINLESS

GENERAL NOTES:

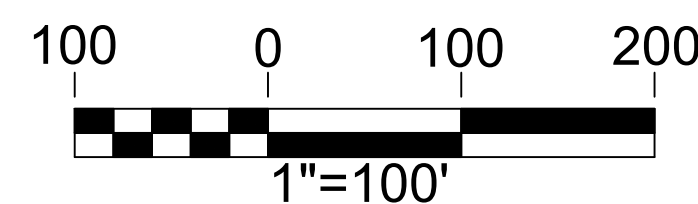
- INSTALL IR VIEW PORT PER INSTALLATION INSTRUCTIONS FOR FLK-CLKT, IF POSSIBLE DISPLAY TO FACE ROADWAY
- INSTALL ONE FULL COIL OF SLACK MV CABLE FOR EACH CIRCUIT, EACH PHASE, 500 KCMIL CABLE SHALL BE COILED INSIDE JUNCTION BOX, 750 KCMIL AND LARGER CABLE SHALL BE COILED OUTSIDE OF JUNCTION BOX, PROVIDE 3M 1422-XR/ID BALL MARKER, INSTALL NO DEEPER THAN 5'-0\" AT EACH LOOP. AT THESE LOCATIONS PROVIDE A CONDUIT PAVEWAY/RACK TO HELP PULL IN SLACK CABLE.
- ATTACH LABELS TO EACH CONDUCTOR IDENTIFYING PHASING AND CIRCUIT # OF THE CABLES. PROVIDE LABELS AT ENTRY AND EXIT.
- CABLE TERMINATIONS NEAREST TO SUBSTATION SHALL HAVE SINGLE WRAP PHASING TAPE, SIDE AWAY FROM SUBSTATION SHALL HAVE DOUBLE WRAP PHASING TAPE.
- THE FOLLOWING TAPE SHALL BE USED FOR PHASE INDICATION: RED TAPE FOR PHASE A, WHITE TAPE FOR PHASE B, AND BLUE FOR PHASE C.
- FINISHED GRADE SHALL BE 2\" ABOVE WHERE JUNCTION BOX SECTIONALIZER ATTACH.

UNDERGROUND OR EMBEDDED UTILITIES MAY BE LOCATED WITHIN OR ADJACENT TO THE AREA IN WHICH EXCAVATION, DEMOLITION, FOUNDATION, OR MODIFICATION WORK IS TO BE PERFORMED.

REFERENCES RELATING TO THE UNDERGROUND OR EMBEDDED UTILITIES ARE PROVIDED TO ASSIST THE CONTRACTOR/INSTALLER IN THE FIELD LOCATING THOSE UTILITIES AND OTHER POSSIBLE UNDERGROUND OR EMBEDDED INTERFERENCES WITH THE WORK.

THE CONTRACTOR/INSTALLER SHALL EXERCISE DUE CAUTION DURING ALL EXCAVATION/FOUNDATION/DEMOLITION WORK.

UNDER NEW YORK STATE EDUCATION LAW ARTICLE 145 (ENGINEERING), SECTION 7209 (2), IT IS A VIOLATION OF THE LAW FOR ANY PERSON, UNLESS ACTING UNDER THE DIRECTION OF A LICENSED PROFESSIONAL ENGINEER, TO ALTER THIS DOCUMENT.



PRELIMINARY
NOT FOR CONSTRUCTION

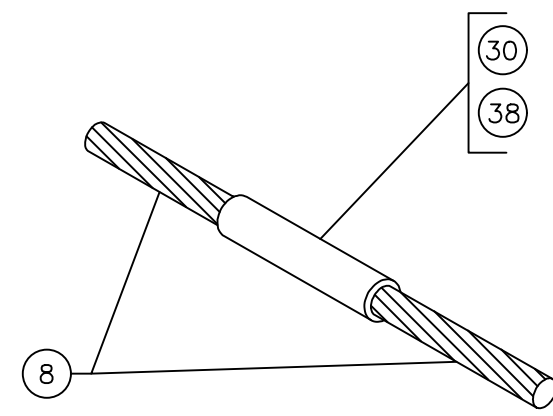


124 Grove Street
Franklin MA, 02038

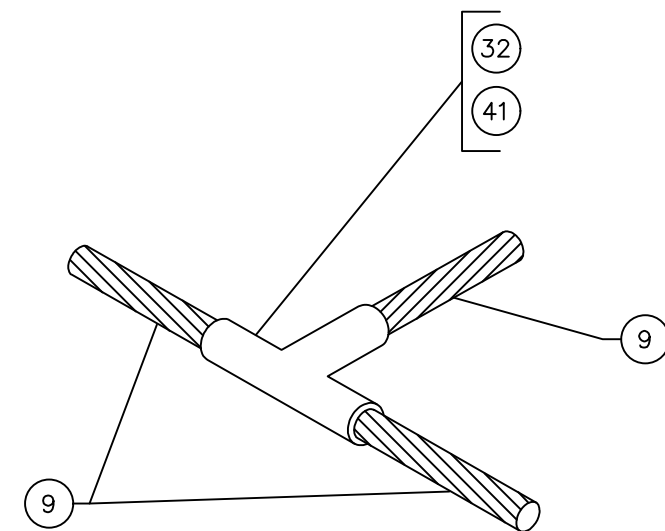
PROJECT NO: 327851

REFERENCE ITEMS	REV	DESCRIPTION	DATE	DES	CHK	APP
	A	ISSUE FOR REVIEW	06/2019	KGM	PRG	CS

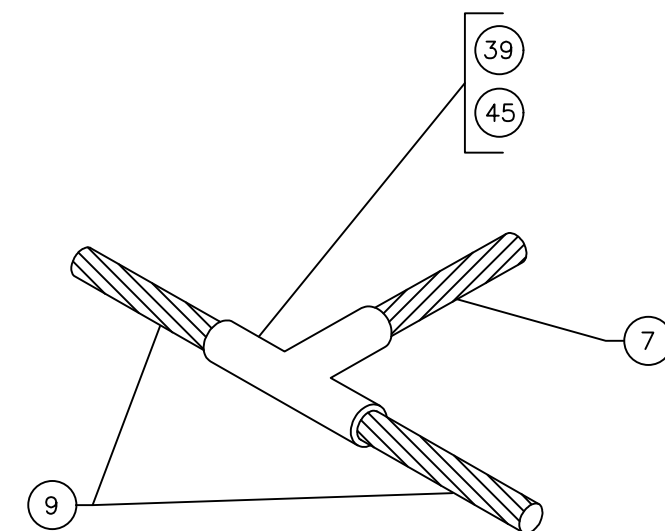
PRG DESIGNED	PRELIMINARY		REV.
AMW DRAWN	34.5 KV COLLECTION SYSTEM SECTIONALIZING ENCLOSURE		B
KGM CHECKED	EAST POINT ENERGY CENTER		
CS APPROVED	EAST POINT ENERGY CENTER, LLC		
	SHARON	SCHOHARIE CO., NY	
REVIEW 1	04/17/19	TRC	CS-003
REVIEW 2	DATE AS NOTED	SCALE	



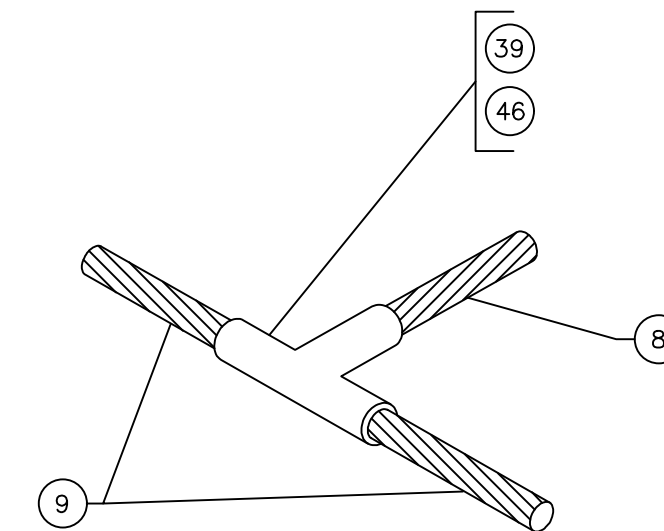
DETAIL G-01 EXOTHERMIC MOLD GROUNDING DETAIL - END TO END		
ITEM	QTY	DESCRIPTION
8	AS REQ	1/2 AWG SINGLE CONDUCTOR - SOFT DRAWN BARE COPPER CONDUCTOR
30	1	CADWELD MOLD - 1/2 AWG HORIZONTAL END TO END
38	1	CADWELD METAL SHOTS -65



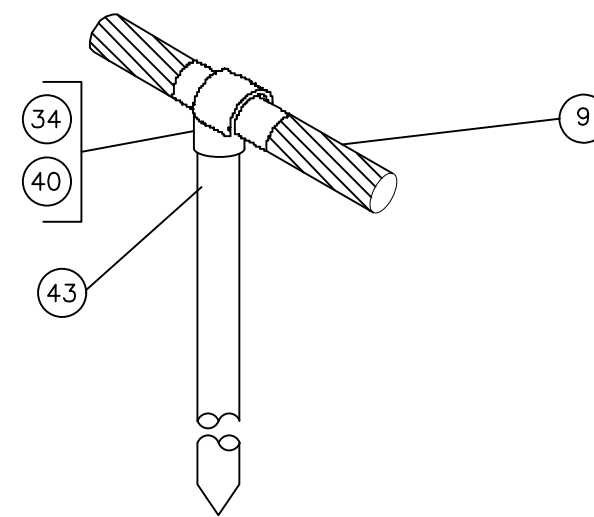
DETAIL G-02 EXOTHERMIC MOLD GROUNDING DETAIL - HORIZONTAL TEE 1/2 AWG TO 1/2 AWG		
ITEM	QTY	DESCRIPTION
9	AS REQ	1/2 AWG SINGLE CONDUCTOR - SOFT DRAWN BARE COPPER CONDUCTOR
32	1	CADWELD MOLD - 1/2 AWG TO 1/2 AWG HORIZONTAL TEE
41	1	CADWELD METAL SHOTS -150



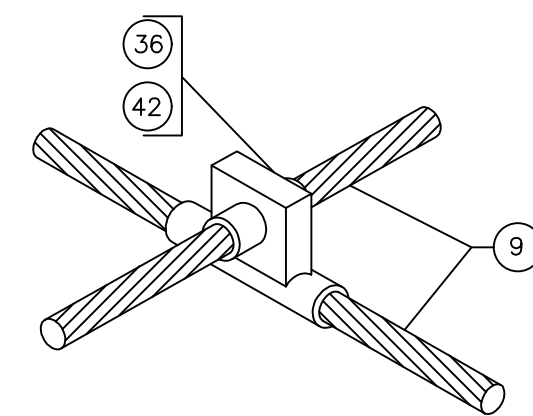
DETAIL G-03 EXOTHERMIC MOLD GROUNDING DETAIL - HORIZONTAL TEE 1/2 AWG TO 1/2 AWG		
ITEM	QTY	DESCRIPTION
9	AS REQ	1/2 AWG SINGLE CONDUCTOR - SOFT DRAWN BARE COPPER CONDUCTOR
7	AS REQ	1/2 AWG SINGLE CONDUCTOR - SOFT DRAWN BARE COPPER CONDUCTOR
45	1	CADWELD MOLD - 1/2 AWG TO 1/2 AWG HORIZONTAL TEE
39	1	CADWELD METAL SHOTS -90



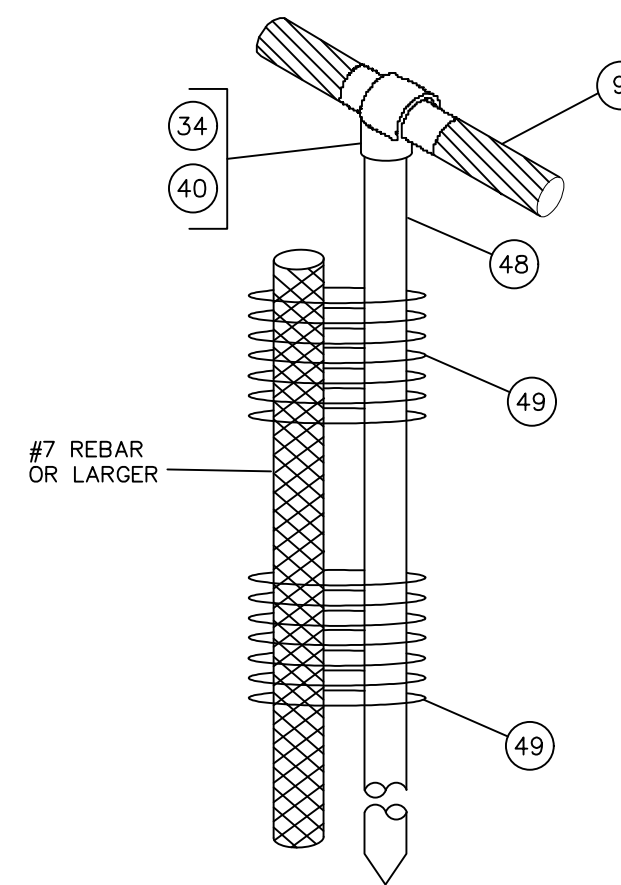
DETAIL G-04 EXOTHERMIC MOLD GROUNDING DETAIL - HORIZONTAL TEE 1/2 AWG TO 1/2 AWG		
ITEM	QTY	DESCRIPTION
8	AS REQ	1/2 AWG SINGLE CONDUCTOR - SOFT DRAWN BARE COPPER CONDUCTOR
9	AS REQ	1/2 AWG SINGLE CONDUCTOR - SOFT DRAWN BARE COPPER CONDUCTOR
46	1	CADWELD MOLD - 1/2 AWG TO 1/2 AWG HORIZONTAL TEE
39	1	CADWELD METAL SHOTS -90



DETAIL G-05 EXOTHERMIC MOLD GROUNDING DETAIL - CABLE TO GROUND ROD		
ITEM	QTY	DESCRIPTION
9	AS REQ	1/2 AWG SINGLE CONDUCTOR - SOFT DRAWN BARE COPPER CONDUCTOR
34	1	CADWELD MOLD - 1/2 AWG TO 3/4" GROUND ROD TOP CONNECTION
40	1	CADWELD METAL SHOTS -115
43	1	3/4" X 30' COPPER CLAD GROUND ROD



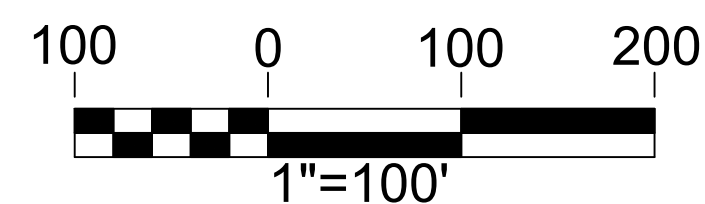
DETAIL G-06 EXOTHERMIC MOLD GROUNDING DETAIL - HORIZONTAL CROSS		
ITEM	QTY	DESCRIPTION
9	AS REQ	1/2 AWG SINGLE CONDUCTOR - SOFT DRAWN BARE COPPER CONDUCTOR
36	1	CADWELD MOLD - 1/2 AWG TO 1/2 AWG HORIZONTAL CROSS
42	1	CADWELD METAL SHOTS -250



DETAIL G-07 TIE WRAP GROUNDING DETAIL - GROUND ROD TO REBAR		
ITEM	QTY	DESCRIPTION
9	AS REQ	1/2 AWG SINGLE CONDUCTOR - SOFT DRAWN BARE COPPER CONDUCTOR
34	1	CADWELD MOLD - 1/2 AWG TO 3/4" GROUND ROD TOP CONNECTION
40	1	CADWELD METAL SHOTS -115
48	1	3/4" X 10' - GALVANIZED STEEL GROUND ROD
49	AS REQ	STEEL WIRE FOR TIE WRAP

- NOTES**
- FOUNDATION DESIGN BY OTHERS.
 - CONNECT FOUNDATION GROUND CONDUCTOR TO GROUND BAR OR GROUND RING THROUGH WTG FOUNDATION
 - GROUND INCOMING/OUTGOING MV CABLE NEUTRAL WIRES AND 1/0 GROUND CONDUCTOR TO WTG GROUND BAR FOR GROUNDING DETAILS SEE DRAWINGS 13139-045-CS-1300 & 13139-045-CS-1301.
 - AFTER INSTALLATION OF ALL CABLES, SEAL CONDUITS WITH POLYURETHANE FST FOAM SEALANT. INSTALL SEALANT PER MANUFACTURER'S INSTRUCTIONS.
- UNDERGROUND OR EMBEDDED UTILITIES MAY BE LOCATED WITHIN OR ADJACENT TO THE AREA IN WHICH EXCAVATION, DEMOLITION, FOUNDATION, OR MODIFICATION WORK IS TO BE PERFORMED.
- REFERENCES RELATING TO THE UNDERGROUND OR EMBEDDED UTILITIES ARE PROVIDED TO ASSIST THE CONTRACTOR/INSTALLER IN THE FIELD LOCATING THOSE UTILITIES AND OTHER POSSIBLE UNDERGROUND OR EMBEDDED INTERFERENCES WITH THE WORK.
- THE CONTRACTOR/INSTALLER SHALL EXERCISE DUE CAUTION DURING ALL EXCAVATION/FOUNDATION/DEMOLITION WORK.

UNDER NEW YORK STATE EDUCATION LAW ARTICLE 145 (ENGINEERING), SECTION 7209 (2), IT IS A VIOLATION OF THE LAW FOR ANY PERSON, UNLESS ACTING UNDER THE DIRECTION OF A LICENSED PROFESSIONAL ENGINEER, TO ALTER THIS DOCUMENT.



PRELIMINARY
NOT FOR CONSTRUCTION



PROJECT NO: 327851

REFERENCE ITEMS	REV	DESCRIPTION	DATE	DES	CHK	APP
	A	ISSUE FOR REVIEW	06/2019	KGM	PRG	CS

PRG
DESIGNED
AMW
DRAWN
KGM
CHECKED
CS
APPROVED

PRELIMINARY
34.5 KV COLLECTION SYSTEM GROUNDING DETAILS
EAST POINT ENERGY CENTER
EAST POINT ENERGY CENTER, LLC
SHARON SCHOHARIE CO., NY

REVIEW 1
REVIEW 2



CS-004
REV. B